

## HD IP Camera 2 MP SONY

### Product feature

Full HD Network IP Camera, 2.0 Mega pixel High quality Image. Support ONVIF international protocol, this is very convenient to connect with Branded NVR. 30m IR distance, this is very suitable for indoor and outdoor surveillance.

### Feature

- High Definition resolution 1920×1080, support multiple resolution
- Support ONVIF protocol interface
- H.264 Video Compression format
- Low intensity of illumination sensor
- IR-CUT optical filter technology, give you a true color beautiful night vision.
- Built-in PoE and Audio function optional



### Technical Parameters

	Model No.	AS-2MPD-IP
<b>Camera</b>	Image Sensor	1/3" Progressive Scan CMOS
	Min. Illumination	0.01Lux @(F1.2,AGC ON) ,0 Lux with IR
	Electronic	Manual /Auto (Adjustable, 1/25~1/100000)
	Lens Type	2.8~12mm@F1.2, M12 mount
	Day & Night	Auto (ICR) / Color / Black & White
<b>Compression Standard</b>	Video Compression standard	H.264
	Compression Output Bitrate	128Kbps~8Mbps
	Audio Compression Standard	PCMV/PCMA
	Audio output Bitrate	64Kbps (G.711) /16Kbps(G.726)
	Max. Resolution	Mainstream: 1920×1080, Sub-stream : 720×576

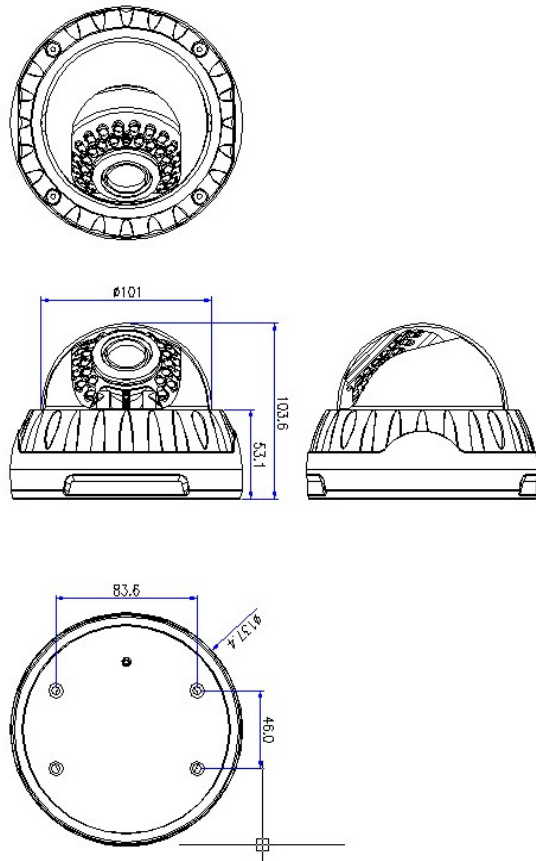


## AS-2MPD-IP

*Spec. Sheet*

<b>Image</b>	Frame Rate	50Hz: 25fps(1920×1080), 60Hz: 30fps(1920×1080)
	Image Setup	Mirror Image, Reverse, Brightness, Contrast, etc. can be settable on IE browser
	Alarm	Motion Detection Alarm
<b>Network Function</b>	Protocols	TCP/IP,ICMP,HTTP,HTTPS,FTP,DHCP, DNS,DDNS,RTP,RTSP,RTCP, PPPoE,NTP,UPnP,SMTP,SNMP,IGMP,802.1X,QoS,IPv6
	Interface Protocol.	ONVIF
	General Function	Flicker Filter, Dual-stream, Mirror Image,
<b>Port</b>	Communication Interface	RJ45 ( 10M/100M Ethernet), Audio Input /Output optional
<b>Application</b>	Working Temperature	-30Deg C~50Deg C
	Power Supply	DC12V±10%
	IR Led	30pcs Φ5 Led, 20m IR range
	Dimension	137.5(Φ)*165.7(H)/mm
	Gross Weight/pc	1kg (without bracket) 18pcs/432*350*482mm

Without bracket:



With bracket (optional)

